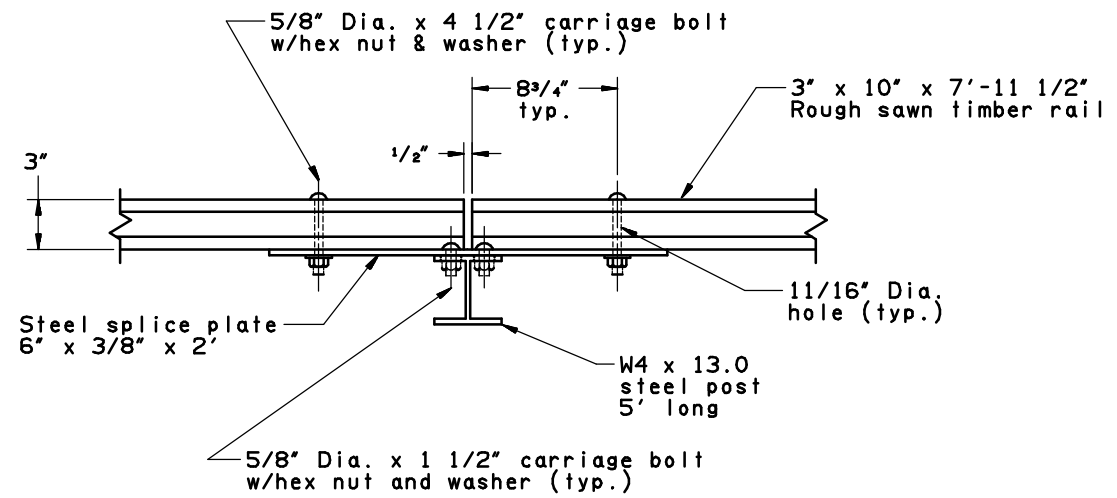
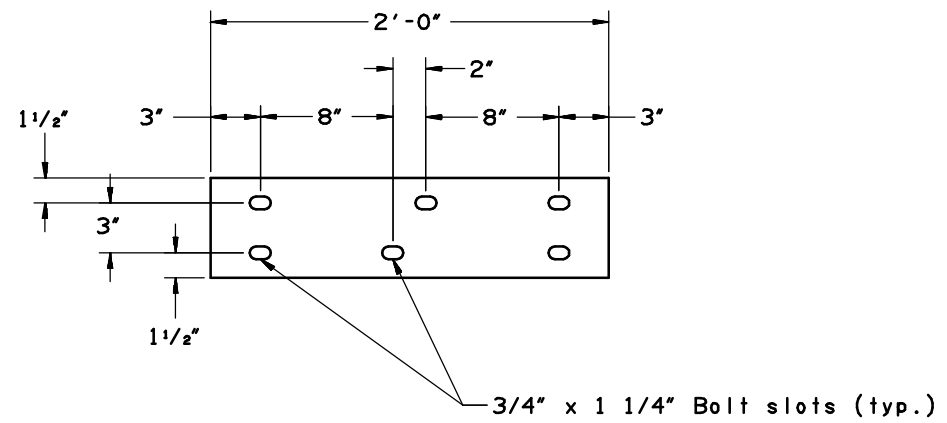


REVISIONS				
REV	DESCRIPTION	DATE	BY	CHK/APP
-	-	-	-	-

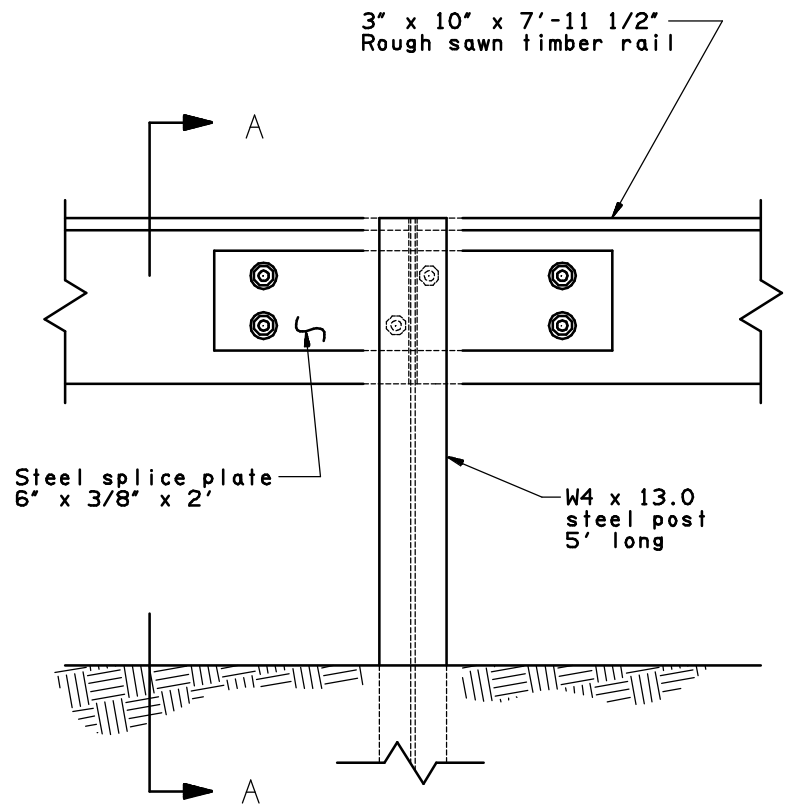


POST CONNECTION PLAN

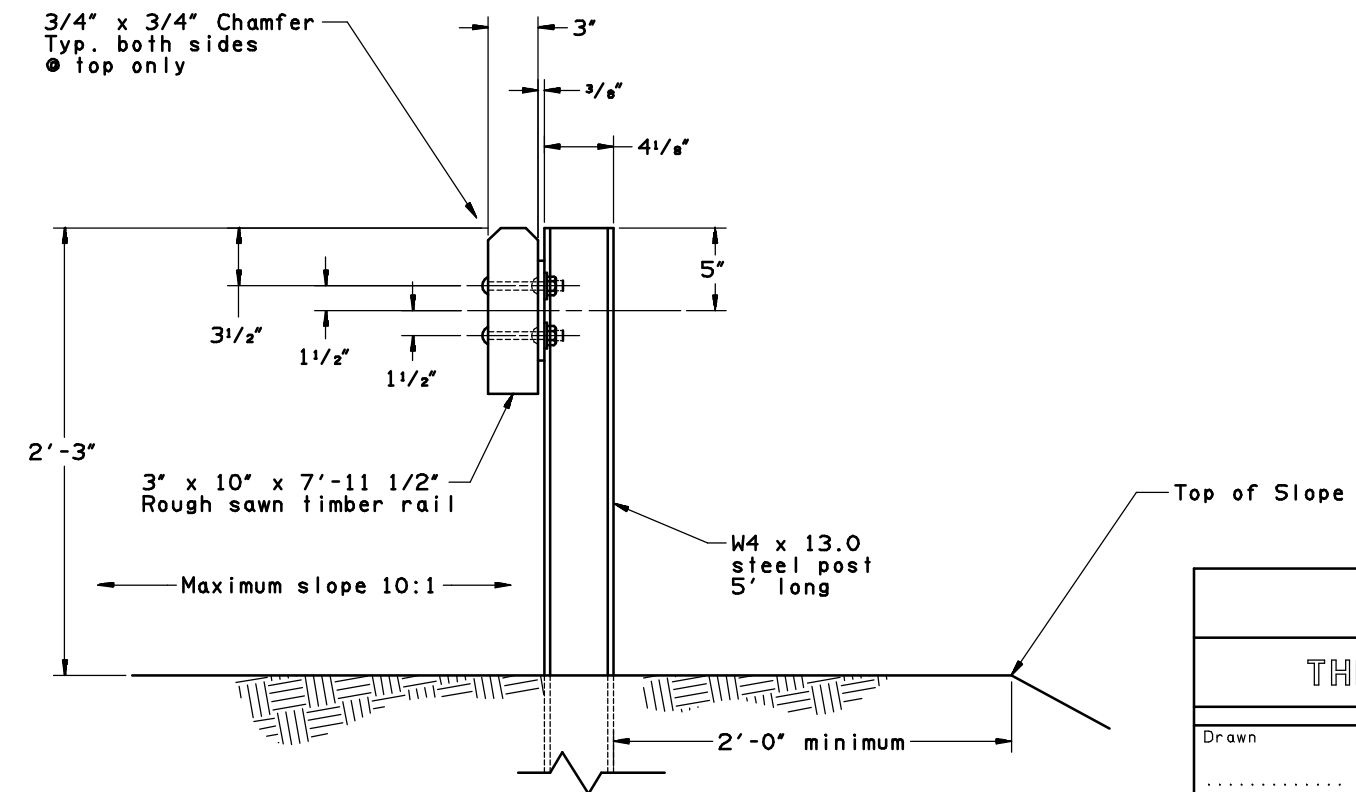


STEEL SPLICE PLATE DETAIL
6' x 3/8' x 2'-0'

- Notes:
1. Use weathering steel for all structural steel and fastener hardware as specified.



POST CONNECTION ELEVATION



SECTION A-A

PROPRIETARY DATA				
THE COR-TENN COMPANY				
Drawn	TITLE	PARK RAIL STEEL POST	
Checked	SIZE	CAT	DWG NO.
Engineering	D	.	RES 1002-01
NO SCALE		SHEET 1 OF 1		REV LTR