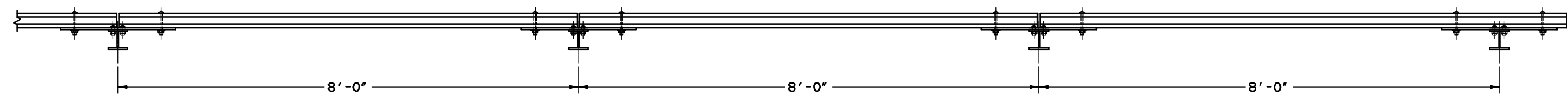
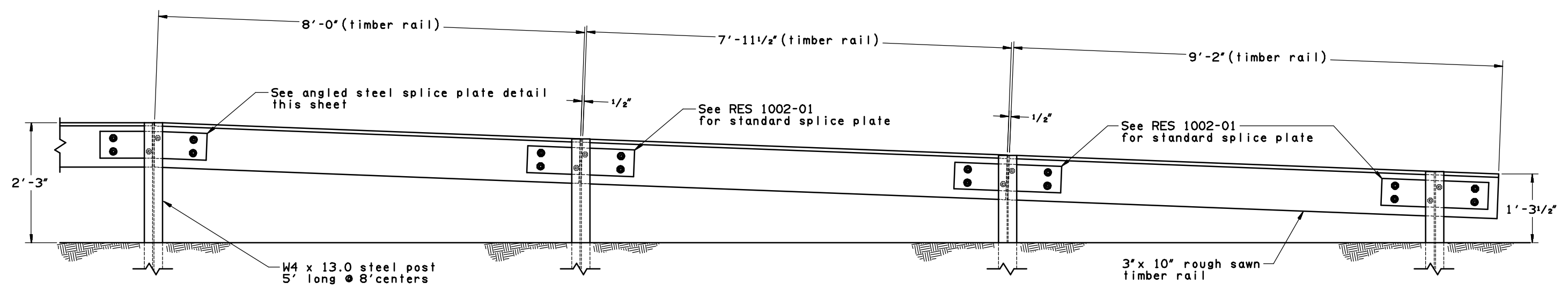


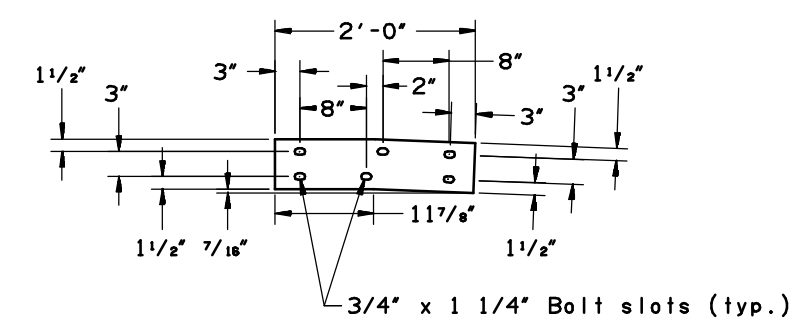
REVISIONS				
REV	DESCRIPTION	DATE	BY	CHK/APP
-	-	-	-	-



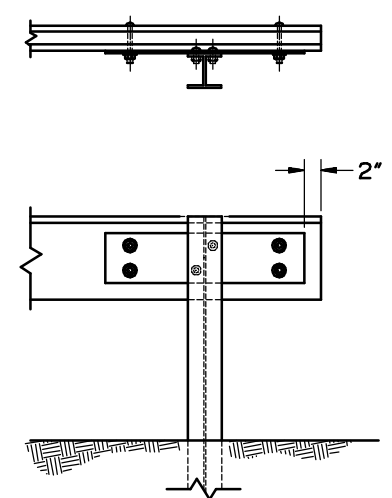
PLAN



ELEVATION



**ANGLED STEEL
SPLICE PLATE DETAIL
6' x 3/8' x 2'-0'**



**OPTIONAL HORIZONTAL
TERMINAL DETIAL**

PROPRIETARY DATA				
THE COR-TENN COMPANY				
Drawn	TITLE	PARK RAIL STEEL POST 24 FT. TERMINAL SECTION	
Checked	SIZE	CAT	DWG NO.
Engineering	D	.	RES 1002-02
NO SCALE			SHEET 1 OF 1	